

## Basic Rack PDU

### **Rack PDU, Basic, Zero U, 5.7kW, 120V, (42)5-20**



APC Basic Rack PDU , Input: 208V 3PH , Input Connections: NEMA L21-20P , Cord Length: 3 feet ( 0.91 meters ) , Output: 120V , Output Connections: NEMA 5-20R

**Includes:** Installation guide, Rack Mounting brackets, Toolless Mounting Kit

**Standard Lead Time:** Usually in Stock

# AP7562 Features

Vertical mounting capability  
Toolless mounting capability

## Basic Rack PDU Features & Benefits

<b>Agility</b>	
<b>Rack-Mountable</b>	Includes horizontal, vertical, and toolless-mount varieties. Puts power where it is needed most - in the racks near the equipment.
<b>Single input power source</b>	Supply power from one branch whip to multiple pieces of equipment, conveniently powering rack-mount equipment. Saves time and money during installation by using one branch whip and standard connections.
<b>Wide range of input and output connections</b>	Product family includes a variety of input and output connections to distribute 120V, 208V, or 230V power to multiple outlets. Having a variety of inputs and outputs allow users to adapt to varying power requirements. APC offers units that bring up to 14.4kW using a single branch whip.

# Output

Nominal Output Voltage	120V	
Maximum Total Current Draw per Phase	20A	
Output Connections	(42) NEMA 5-20R	
Always on Outlets	42	
Overload Protection	No	

# Input

Nominal Input Voltage	208V 3PH
Input Frequency	50/60 Hz
Regulatory Derated Input Current (North America)	16A
Input Connections	NEMA L21-20P
Cord Length	0.91 meters
Number of Power Cords	1
Maximum Input Current per phase	20A
Load Capacity	5700 VA

# Physical

Net Weight	5.45 KG
Maximum Height	1778.00 mm
Maximum Width	56.00 mm
Maximum Depth	44.00 mm
Shipping Weight	6.36 KG
Shipping Height	2134.00 mm
Shipping Width	152.00 mm
Shipping Depth	127.00 mm
Color	Black

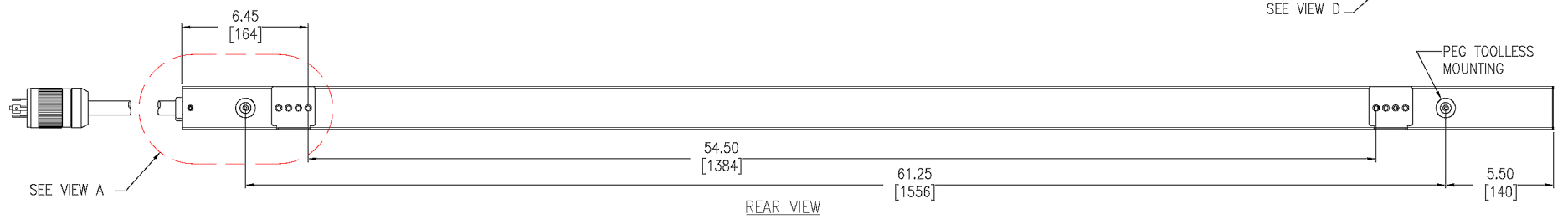
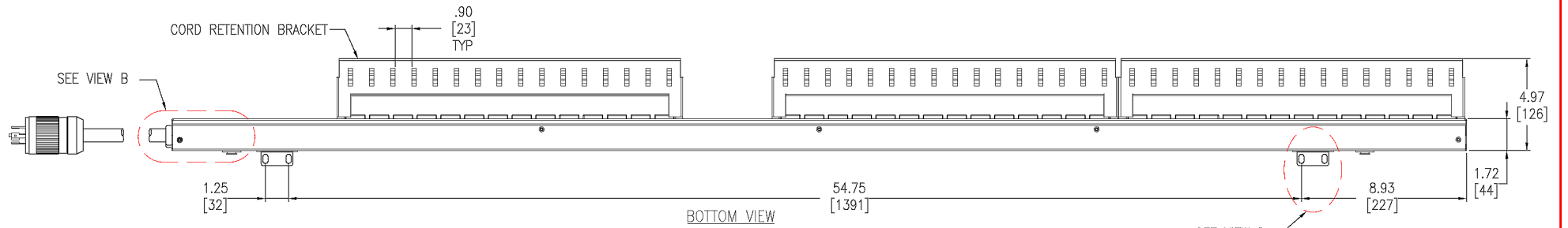
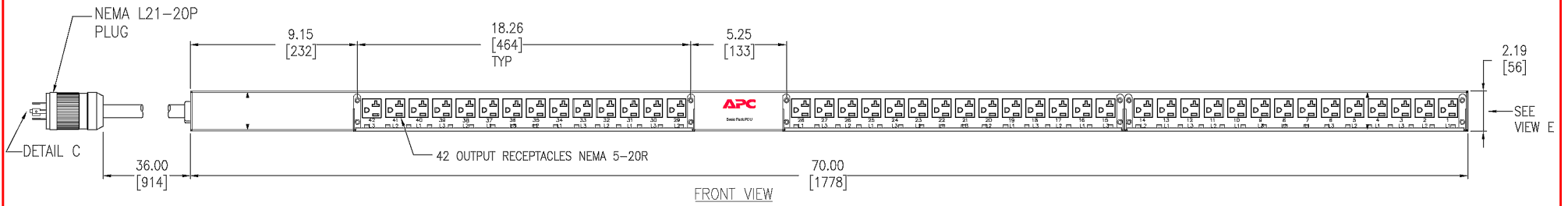
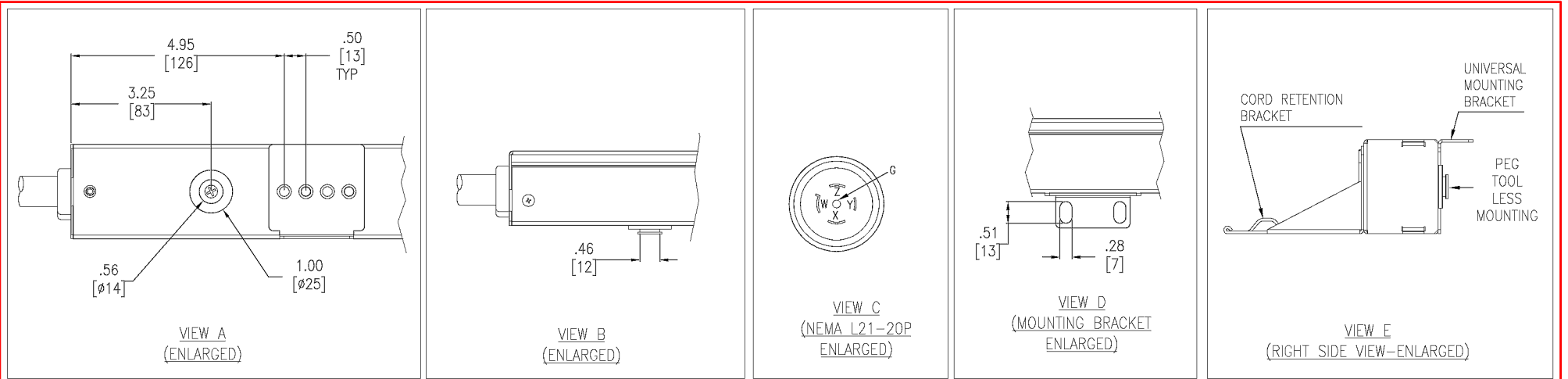
# Environmental

Operating Environment	0 - 45 °C
Operating Relative Humidity	5%
Operating Elevation	0-3000 meters

Storage Temperature	-25 - 65 °C
Storage Relative Humidity	5%
Storage Elevation	0-15000 meters

## Conformance

Regulatory Approvals	cUL Listed,CSA C22.2 No. 60950-1-03,UL 60950-1,UL Listed
Standard Warranty	2 years repair or replace
ROHS/WEEE Compliance	RoHS 7b Exemption



NOTES:

1. ALL DIMENSIONS ARE IN INCHES [MILLIMETERS].
2. NET WEIGHT IS 12 LBS [5.5kg]
3. UNIVERSAL MOUNTING BRACKET IS AN ALTERNATIVE MOUNTING METHOD TO THE TOOLLESS MOUNT FOR NON APC RACKS.
4. BRACKET KITS TO MOUNT TO SPECIFIC COMPETITORS RACKS ARE AVAILABLE AS OPTIONS.
5. INSTALLATION MUST COMPLY WITH ALL APPLICABLE NATIONAL AND LOCAL CODES.

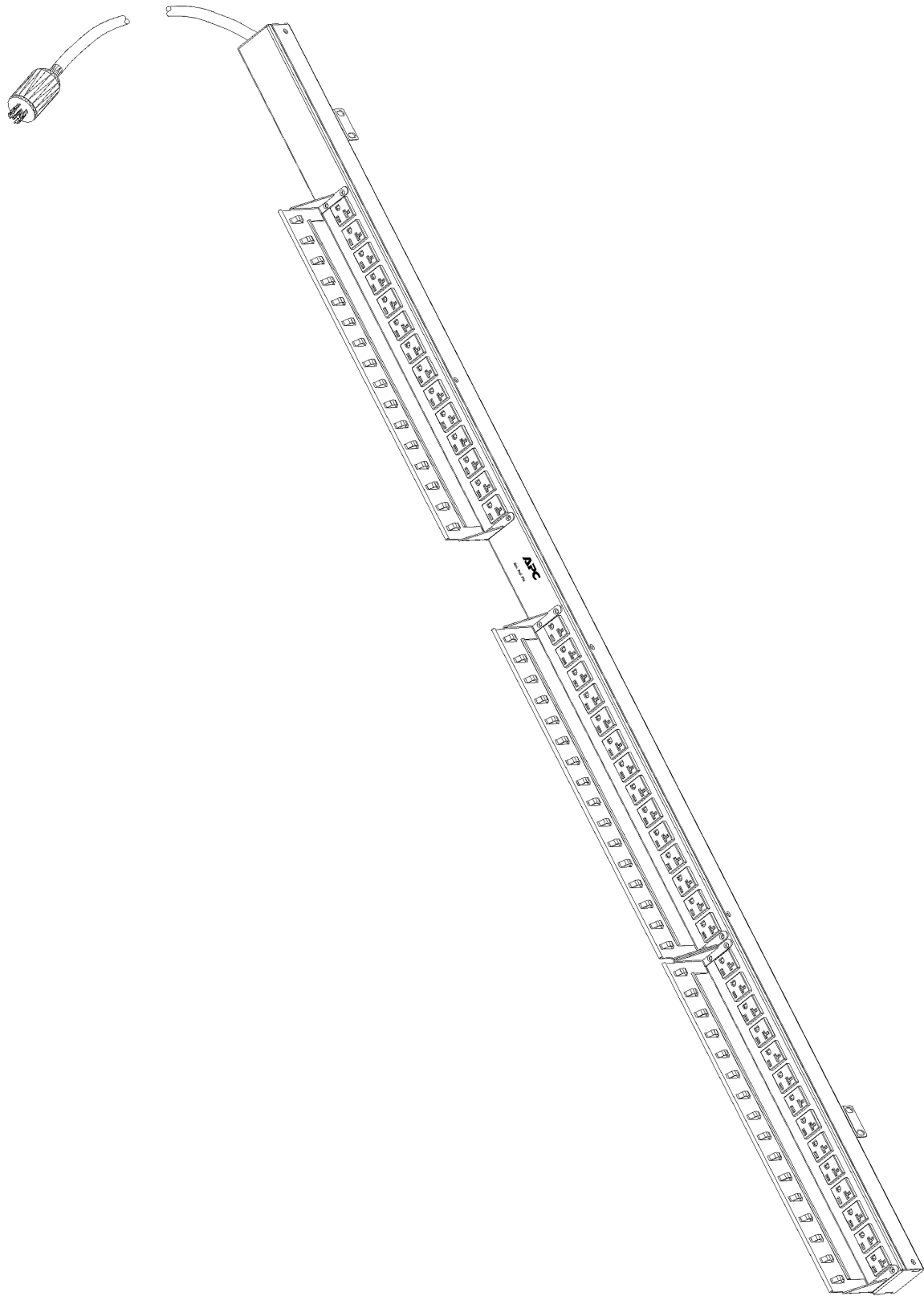
THIS DRAWING AND SPECIFICATIONS HEREIN ARE THE PROPERTY OF AMERICAN POWER CONVERSION AND SHALL NOT BE COPIED, REPRODUCED OR USED IN WHOLE OR IN PART, AS THE BASIS FOR THE MANUFACTURE OR SALE OF ITEMS WITHOUT WRITTEN PERMISSION FROM APC. THIS DRAWING IS BASED UPON LATEST AVAILABLE INFORMATION AND IS SUBJECT TO CHANGE WITHOUT NOTICE.

TITLE: RACK PDU, BASIC  
 ZERO U, 5.7KW, 120V, INPUT: NEMA L21-20P  
 OUTPUT: (42) NEMA 5-20R  
 MAIN MECHANICAL  
 PROJECT: SUBMITTAL DRAWINGS SHEET 1 OF 2

DWG NO: AP7562-MM1  
 REV: 1  
 DRAWN BY: JAYAPRAKASH  
 CHECKED BY: T.HORSTMANN  
 ENGINEER: J.RING/ E.SILVA



# ISOMETRIC VIEW



THIS DRAWING AND SPECIFICATIONS HEREIN ARE THE PROPERTY OF AMERICAN POWER CONVERSION AND SHALL NOT BE COPIED, REPRODUCED OR USED IN WHOLE OR IN PART, AS THE BASIS FOR THE MANUFACTURE OR SALE OF ITEMS WITHOUT WRITTEN PERMISSION FROM APC. THIS DRAWING IS BASED UPON LATEST AVAILABLE INFORMATION AND IS SUBJECT TO CHANGE WITHOUT NOTICE.

TITLE: RACK PDU, BASIC  
 ZERO U, 5.7kW, 120V, INPUT: NEMA L21-20P  
 OUTPUT: (42) NEMA 5-20R  
 ISOMETRIC VIEW  
 PROJECT: SUBMITTAL DRAWINGS SHEET 2 OF 2

DWG NO: AP7562-MM2 REV. 1  
 DRAWN BY: JAYAPRAKASH  
 CHECKED BY: T.HORSTMANN  
 ENGINEER: J.RING/ E.SILVA





# Basic Rack PDU

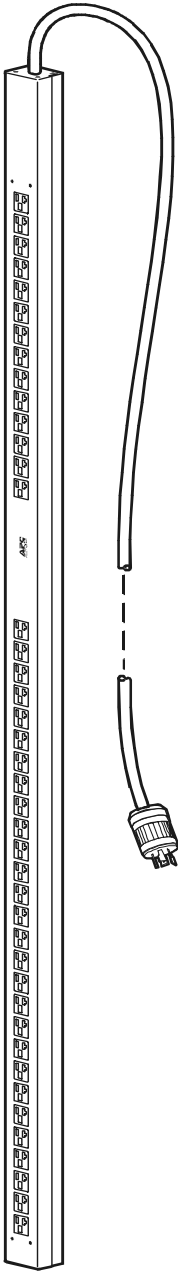
## Overview

The American Power Conversion® Basic Rack PDU distributes power to devices in the rack.

**Outlets.** The Rack PDU has forty-two (42) NEMA 5-20 outlets.

**Power cord.** The 3-foot (0.91-meter) power cord terminates with a NEMA L21-20 connector.

**AP7562**





## Specifications for AP7562

---

### Electrical

---

Input connector	NEMA L21-20 plug
Output connectors	(42) NEMA 5-20 outlets
Nominal input voltage	120 VAC, 3-phase
Acceptable input voltage	± 10% of nominal voltage
Input frequency	47–63 Hz

---

### Physical

---

Dimensions (H × W × D)	70.00 × 2.19 × 1.73 in (177.80 × 5.56 × 4.39 cm)
Shipping dimensions (H × W × D)	84.00 × 6.00 × 5.00 in (213.36 × 15.24 × 12.7 cm)
Weight	12 lb (5.44 kg)
Shipping weight	19.5 lb (8.85 kg)

---

### Environmental

---

Maximum elevation (above MSL)	
Operating	15,000 ft (4500 m)
Storage	50,000 ft (15 000 m)
Temperature	
Operating	–5 to 45° C (23 to 115° F)
Storage	–25 to 65° C (–13 to 149° F)
Humidity	
Operating	5–95% RH non-condensing
Storage	5–95% RH non-condensing

---

### Compliance

---

Safety verification	UL/cUL 60950 Listed
---------------------	---------------------

---



990-1942